

"JNS" WOOD TOP WORK TABLES

w/Galvanized Base & Shelf - 1½" Thick Top

FEATURES:

- 1-1/2" Thick Northern Hard Rock Maple Top
- Maple Top w/Oil Finish w/Optional Varnique Finish
- Galvanized Steel Base And Adjustable Undershaft
- Adjustable Bullet Feet
- Shipped Knocked-Down, Easy-To-Assemble
- All Models Are Approved By The NSF

SPECIFICATIONS:

- Top: Northern Hard Rock Maple
- Shelf: 18GA Galvanized Steel, (*6ft Table Only, 16GA)
- Legs: 16GA Galvanized Steel
- Gussets: Galvanized Steel
- Feet: 1" Adjustable Galvanized Steel

CERTIFICATIONS:



ACCESSORIES

DESCRIPTION

Drawer

Drawer Lock

Casters

Overshelves

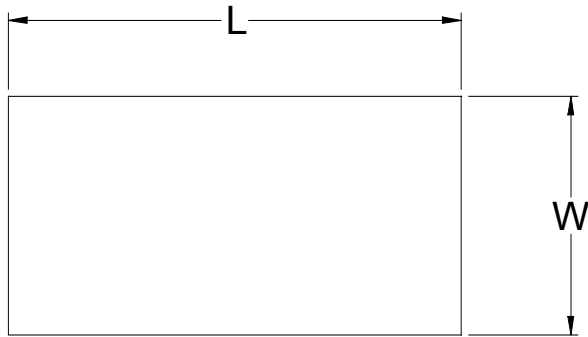
Pot Rack

"JNS" WOOD TOP WORK TABLES

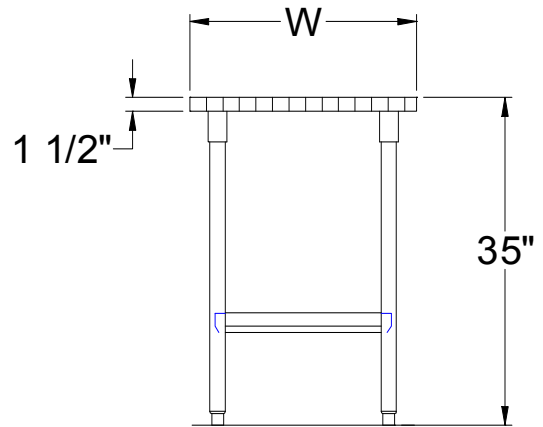
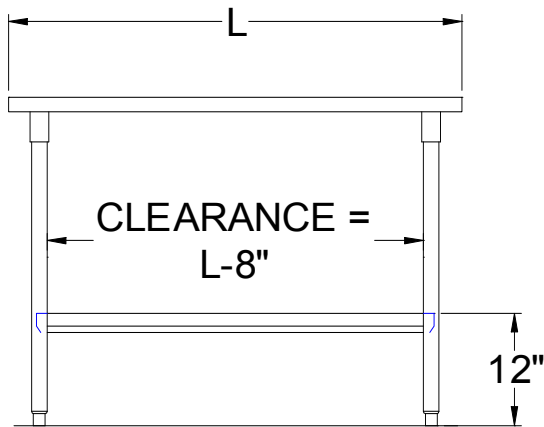
LENGTH	18" WIDE	WT (LBS)	24" WIDE	WT (LBS)	30" WIDE	WT (LBS)	36" WIDE	WT (LBS)
36"	JNS1836	64	JNS01	68	JNS08	82	JNS15	92
48"	JNS1848	78	JNS02	86	JNS09	104	JNS16	117
60"	JNS1860	90	JNS03	104	JNS10	126	JNS17	142
72"	JNS1872	106	JNS04	128	JNS11	151	JNS18	171
84"	JNS1884	112	JNS05	144	JNS12	181	JNS19	204
96"	JNS1896	126	JNS06	165	JNS13	200	JNS20	226
108"	-	-	JNS06A	176	JNS13A	215	JNS20A	250
120"	-	-	JNS07	193	JNS14	237	JNS21	270

ALL DIMENSIONS ARE TYPICAL. TOLERANCE +/- .500". JOHN BOOS & CO. RESERVES THE RIGHT TO CHANGE SPECIFICATIONS WITHOUT NOTICE.

DETAILED SPECIFICATIONS



Units 7 Ft. & Larger Are
Furnished With Six Legs
Shelf Length = Length Minus 4.875"
Shelf Width = Width Minus 4.25"



"JNS" WOOD TOP WORK TABLES

LENGTH	18" WIDE	WT (LBS)	24" WIDE	WT (LBS)	30" WIDE	WT (LBS)	36" WIDE	WT (LBS)
36"	JNS1836	64	JNS01	68	JNS08	82	JNS15	92
48"	JNS1848	78	JNS02	86	JNS09	104	JNS16	117
60"	JNS1860	90	JNS03	104	JNS10	126	JNS17	142
72"	JNS1872	106	JNS04	128	JNS11	151	JNS18	171
84"	JNS1884	112	JNS05	144	JNS12	181	JNS19	204
96"	JNS1896	126	JNS06	165	JNS13	200	JNS20	226
108"	-	-	JNS06A	176	JNS13A	215	JNS20A	250
120"	-	-	JNS07	193	JNS14	237	JNS21	270

ALL DIMENSIONS ARE TYPICAL. TOLERANCE +/- .500". JOHN BOOS & CO. RESERVES THE RIGHT TO CHANGE SPECIFICATIONS WITHOUT NOTICE.